

# **BÖHMER**

**OUR EXPERIENCE - YOUR SAFETY**

**FULLY WELDED  
BALL VALVES**





# **BÖHMER**

**OUR EXPERIENCE - YOUR SAFETY**

# PERFORMANCE FROM START TO FINISH

Ensuring the safety of the entire pipeline system requires the valves for oil and gas applications to be able to meet the most challenging demands.

The design is optimised for each specific field of application and complies with the latest standards and regulations. BÖHMER-Ball Valves are a guarantee for long lasting reliability.

Renowned oil and gas companies trust in our quality.

# EXPERIENCE, EXPERTISE, PERFORMANCE. WE ARE BÖHMER!

We have been a reliable ball valve manufacturer since 1956. More than 300 highly qualified employees and modern machinery are the components of our success.

The structure of our plant and equipment, as well as our production, which is based on the most modern economic and ecological requirements, guarantee our customers maximum performance, quality and cost-effectiveness.

Decades of research and development enable us to manufacture a wide variety of ball valves for diverse applications. Thanks to our modular design system, we can always react flexibly to market needs. Needless to say, we offer special designs for individual customer requirements.



Branch factory in Hattingen



Main factory in Sprockhövel



**Branch factory in Kunshan, China**



**Branch factory in Karaganda, Kazakhstan**



Today we are proud to have facilities located on 248,000 square foot (23,000 m<sup>2</sup>) of production and administration floor-space in our main factory and 145,000 square foot (13,500 m<sup>2</sup>) in our branch factory in Hattingen.

Furthermore we are present outside of Europe with two production facilities. In China we produce split body ball valves for the local market. Our plant in Kazakhstan is delivering district heating ball valves to regional customers.

Our large warehousing capacity enables us to meet even short-term deadlines. On-time deliveries are standard for us.

Our regular customers are demanding and therefore appreciate our first-class service. They have relied on the quality and reliability of BÖHMER ball valves for decades. We are proud to be recognized as one of the leading valve manufacturers.

# THE BÖHMER PRODUCT LINE

Our ball valves set standards because our products are designed for the most demanding conditions. The various applications for which our ball valves were designed require maximum durability and performance.

Generally our ball valves can be used wherever gases, liquids and solids are transported. It goes without saying that our ball valves fulfill all requirements for certification and procedure approvals.

We can transport all media without difficulty up to the nominal size 56" / DN1400, even with pressures of up to 7,252 psi / 500 bar.

The standards that our ball valves now fulfill are the highest on the market. But we go a step further. Our team of highly qualified engineers and designers takes special care to further develop our ball valves with maximum quality of design and material as well as cost-effectiveness.





OIL, GAS AND PRODUCT  
**PIPELINES**

COMPRESSOR, MEASURING  
AND REDUCTION STATIONS

**GAS STORAGE**

PLANTS AND VESSELS FOR THE OIL,  
GAS AND PETROCHEMICAL INDUSTRY

**LIQUID GAS**

ON- AND OFFSHORE PLATFORMS

**SHIPBUILDING**

**POWER STATIONS**

DISTRICT HEATING / STEAM

**SCRAPER LAUNCH AND  
RECEIVING STATIONS**

SPECIAL APPLICATIONS / TAILOR MADE

## Certifications

**DIN EN ISO 9001**

**API 6D/API 6DSS**

**DIN-DVGW**

**EN 13774**

**GOST**

**EN 14141**

**TA-Luft**

**ATEX 94/9/EG**

**BS 5351**

**Fire Safe**

acc. to BS6755/API6FA

**PED 97/23/EC**

**BAM**

(structural component approvals)

**Type approvals  
(VdTÜV)**

**Safety Shutoff Units (SAE)**

acc. to EN 14382

**and others**



# PRECISELY DESIGNED AND PROVEN IN THE FIELD

Böhmer fully welded ball valves fulfill the requirements of the most common national and international standards.

## BASIC DESIGN FEATURES

### Seat Seal System

The Böhmer ball valves provide spring supported seats as a standard. The seats are pressed against the ball surface by the spring elements and ensure a tight shut-off at low line pressure. In addition the sealing effect is assisted by the pressure in line. So the total sealing force is the sum of the spring force and the force resulting from the pressure which increases proportionally with the line pressure. Depending on applications and customer requirements the below mentioned sealing systems can be delivered:

- soft seated
- primary metal seated / secondary soft seated
- metal to metal seated

### Stem Sealing

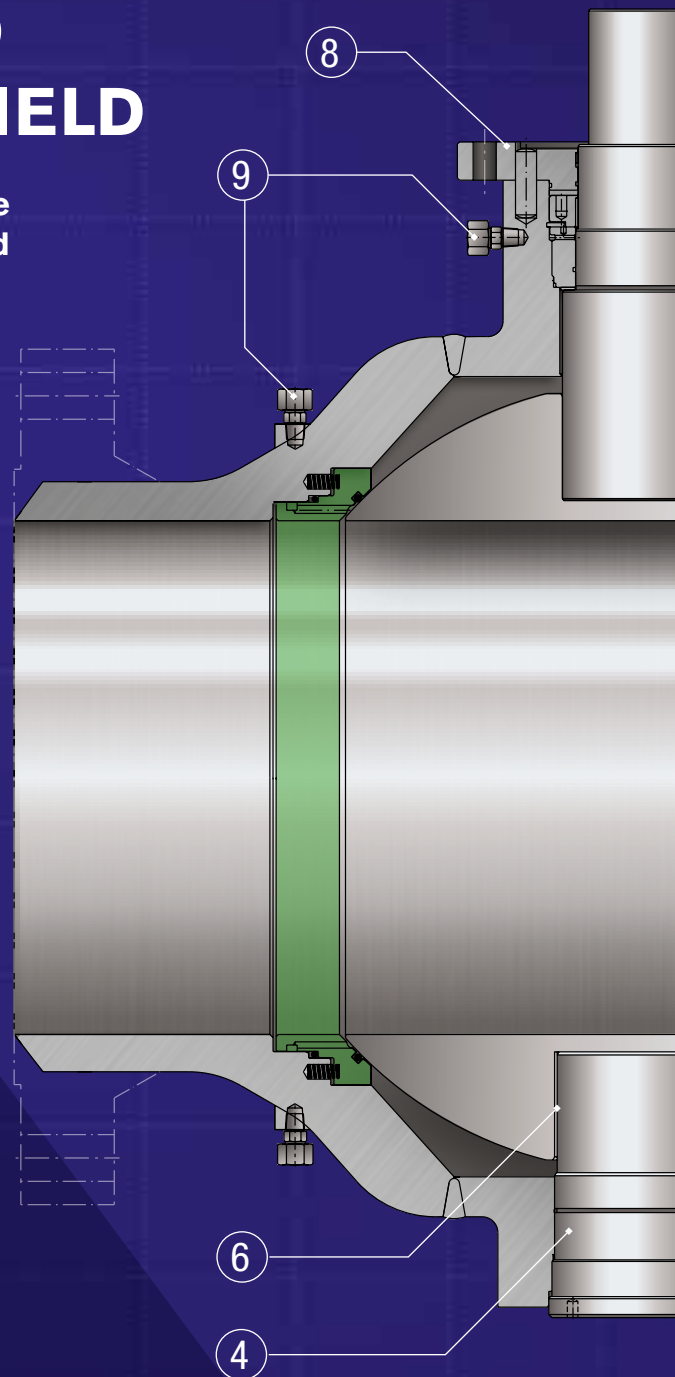
The sealing of the stem to the atmosphere is achieved by three independent sealing systems. The stem sealing design ensures the anti-blow-out function, too. Therefore, the three stem sealings are easily replaceable under full line pressure in open or closed position.

### Trunnion Mounted Ball

The standard design of Böhmer ball valves provides a trunnion mounted ball for the nominal sizes 3 inch and higher. The maintenance-free bearings for stem and trunnion are self-lubricating, thus ensuring a lower torque especially for high pressure ratings.

### Anti-Static Device

The ball valve design includes an electric conductive connection between the internal parts of the ball valve and the body, providing the anti-static function.



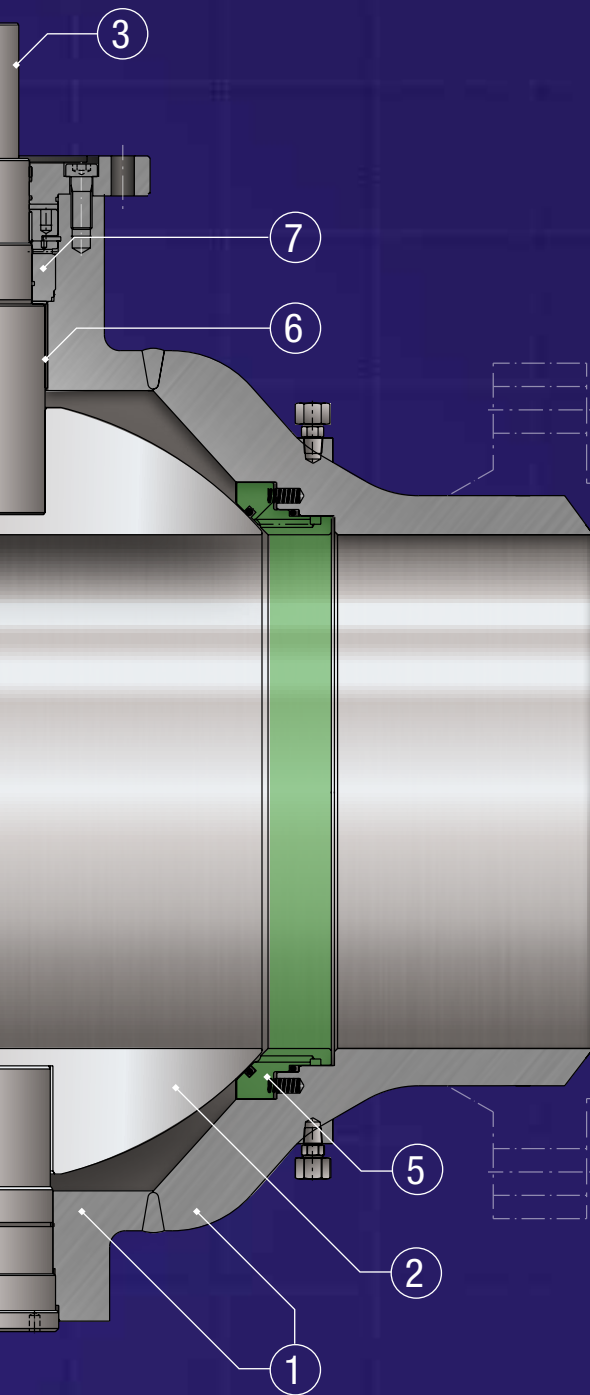
### Fire Protection

The design ensures the fire safe requirements in accordance with the international standards as API 6FA, API 607, BS 6755 P 2 and ISO 10497.

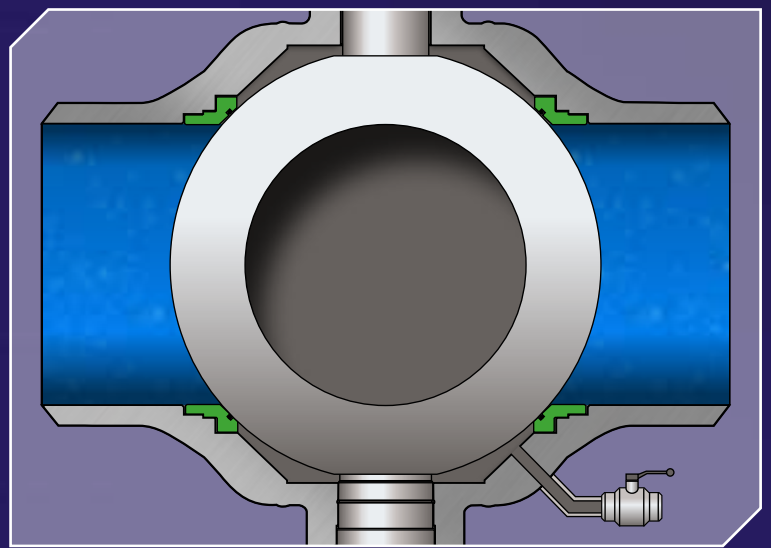
### Emergency Sealing

As an option, Böhmer ball valves can be delivered with an additional emergency sealant injection for the seat-rings and stem sealing.



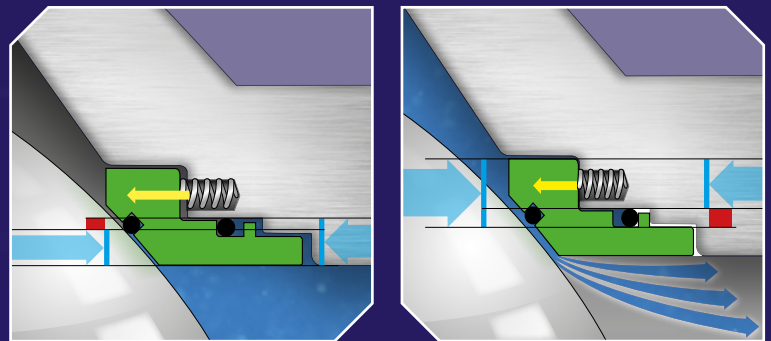


- ① Body
- ② Ball
- ③ Stem
- ④ Trunnion
- ⑤ Seat-rings
- ⑥ Self lubricating bearings
- ⑦ Anti blow-out device of the stem
- ⑧ Top mounting flange for gearboxes or actuators
- ⑨ Emergency sealant injection as an option



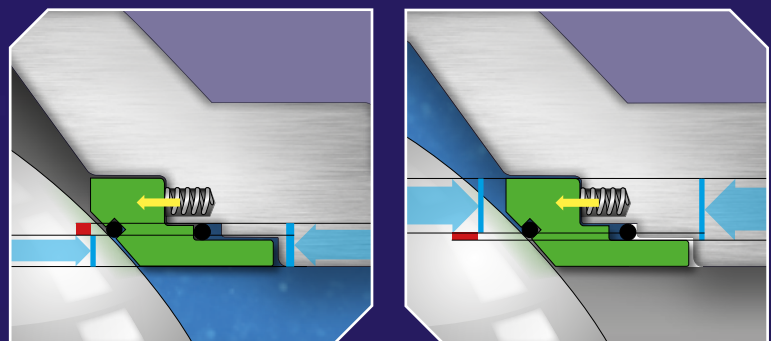
### Double Block and Bleed

The cavity can be relieved via vent or drain connections at the cavity. The upstream and downstream seat rings ensure the tight shut off to the cavity in closed position (optional in open position as well). This enables the verification of the tightness of the ball valve under full working pressure.



### Single-Piston-Effect (Self-relieving Seat Design)

This seat system is designed to automatically vent any excessive build-up pressure in the body cavity. The floating seat design allows for relieving the overpressure into the pipeline.



### Double-Piston-Effect (Bi-directional Seating System)

With this design the seat rings tighten independently of the actual pressure relations. A redundant sealing system is created. Self relieving of the cavity does not happen in closed position (optional in open position as well).

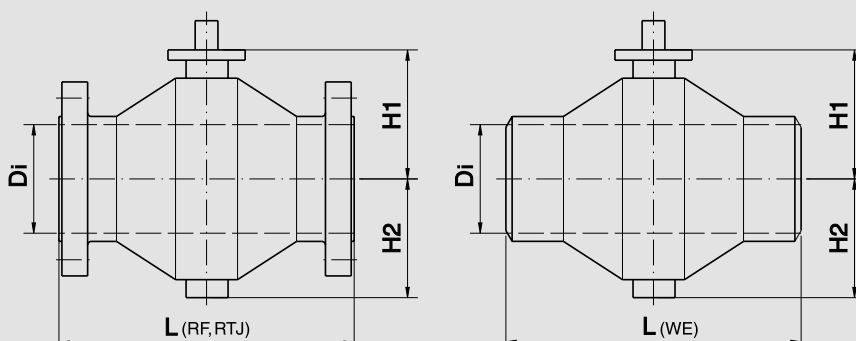
# Ball Valve with Flange or Weld Ends

1" - 16" | DN 25 - 400, ANSI Class 150 | PN 16\*



## Standard Materials:

- Body:** TSTE 355N/P355 NL1; ASTM A350 LF2; ASTM A106/P235 GH-TC1; P250 GH
- Ball:** ASTM A350 LF2; ENP or hard chrome; stainless steel on request
- Seat Rings:** ASTM A350 LF2; ENP or hard chrome; stainless steel on request
- O-Rings:** FPM; EPDM; NBR; HNBR
- Seat Insert:** FPM; PTFE; PTFE-filled; HNBR



For deviating operating conditions please send us a written request stating the fluids, as well as the pressure and temperature range.

The materials which are mentioned in the list are the Böhmer standard materials. They comply with the most common national and international standards.

Other materials, which may be necessary due to special applications / conditions (such as corrosion / abrasion as well as temperature etc.) or customers' demands are deliverable on request.

Nom. size		Diameter	Face to face dimensions						Weight	
DN		Di	L(RF)	L(RTJ)	L(PN*)	L(WE)	H1	H2	Flange	Weld Ends
mm	inch	inch	inch	inch	inch	inch	inch	inch	lbs	lbs
25	1	0.98	5.00	-	-	8.50	1.38	1.06	10	4
50	2	2.01	7.01	7.52	5.91	9.49	2.48	1.77	26	13
80	3	3.07	7.99	8.50	7.09	11.14	3.94	2.76	62	44
100	4	4.02	9.02	9.49	7.48	12.01	4.45	3.39	99	71
150	6	5.98	15.51	15.98	13.78	15.75	6.54	6.18	187	130
200	8	7.99	17.99	18.50	15.75	18.11	7.91	7.56	287	198
250	10	10.00	20.98	21.50	25.59	23.62	11.14	9.80	650	584
300	12	12.01	23.62	24.49	29.53	27.56	12.80	12.32	1113	992
350	14	13.23	27.01	27.52	33.46	31.50	13.90	13.39	1499	1345
400	16	15.24	30.00	30.51	37.40	35.43	17.13	15.98	1874	1653

\* DIN face-to-face dimensions are deliverable as well.

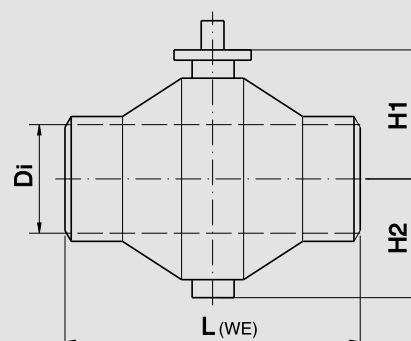
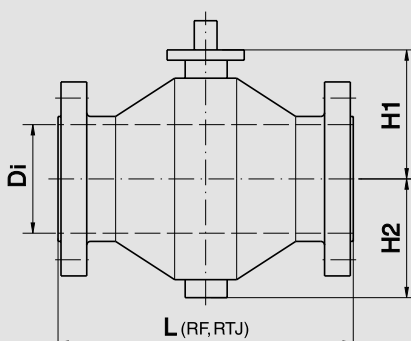
# Ball Valve with Flange or Weld Ends

18" - 56" | DN 450 - 1400, ANSI Class 150 | PN 16\*



## Standard Materials:

<b>Body:</b>	TSTE 355N/P355 NL1; ASTM A350 LF2; P250 GH
<b>Ball:</b>	ASTM A350 LF2; ENP or hard chrome; stainless steel on request
<b>Seat Rings:</b>	ASTM A350 LF2; ENP or hard chrome; stainless steel on request
<b>O-Rings:</b>	FPM; EPDM; NBR; HNBR
<b>Seat Insert:</b>	FPM; PTFE; PTFE-filled; HNBR



For deviating operating conditions please send us a written request stating the fluids, as well as the pressure and temperature range.

The materials which are mentioned in the list are the Böhmer standard materials. They comply with the most common national and international standards.

Other materials, which may be necessary due to special applications / conditions (such as corrosion / abrasion as well as temperature etc.) or customers' demands are deliverable on request.

Nom. size		Diameter	Face to face dimensions						Weight	
DN		Di	L(RF)	L(RTJ)	L(PN*)	L(WE)	H1	H2	Flange	Weld Ends
mm	inch	inch	inch	inch	inch	inch	inch	inch	lbs	lbs
450	18	17.24	34.02	34.49	41.34	39.37	18.50	17.72	2601	2315
500	20	19.25	35.98	36.50	45.28	42.91	20.16	19.21	3660	3086
550	22	21.26	40.00	40.50	-	44.49	25.55	21.69	4630	3968
600	24	23.27	42.01	42.52	53.15	45.28	27.09	23.39	5512	5071
700	28	27.01	49.02	-	61.02	50.98	29.21	26.02	6834	6173
750	30	28.98	50.98	-	-	52.99	30.91	27.99	8113	7165
800	32	30.75	54.02	-	-	55.00	33.54	30.47	10648	9700
900	36	34.49	60.00	-	-	59.02	35.91	32.68	14661	13338
1000	40	38.50	76.69	-	-	79.13	43.70	38.50	19621	18188
1050	42	40.16	79.33	-	-	82.09	45.79	40.39	21826	20172
1200	48	45.91	84.45	-	-	87.01	52.05	46.93	35274	32849
1400	56	53.54	92.91	-	-	96.26	60.24	53.07	45195	42549

\* DIN face-to-face dimensions are deliverable as well.

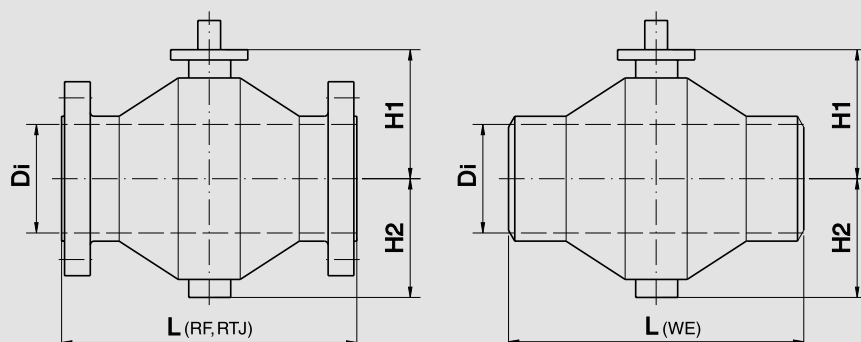
# Ball Valve with Flange or Weld Ends

1" - 16" | DN 25 - 400, ANSI Class 300 | PN 25/40\*



## Standard Materials:

- Body:** TSTE 355N/P355 NL1; ASTM A350 LF2; ASTM A106/P235 GH-TC1; P250 GH
- Ball:** ASTM A350 LF2; ENP or hard chrome; stainless steel on request
- Seat Rings:** ASTM A350 LF2; ENP or hard chrome; stainless steel on request
- O-Rings:** FPM; EPDM; NBR; HNBR
- Seat Insert:** FPM; PTFE; PTFE-filled; HNBR



For deviating operating conditions please send us a written request stating the fluids, as well as the pressure and temperature range.

The materials which are mentioned in the list are the Böhmer standard materials. They comply with the most common national and international standards.

Other materials, which may be necessary due to special applications / conditions (such as corrosion / abrasion as well as temperature etc.) or customers' demands are deliverable on request.

Nom. size		Diameter	Face to face dimensions					Weight			
DN		Di	L(RF)	L(RTJ)	L(PN*)	L(WE)	H1	H2	Flange	Weld Ends	
mm	inch	inch	inch	inch	inch	inch	inch	inch	lbs	lbs	
25	1	0.98	5.51	-	-	8.50	1.38	1.06	10	4	
50	2	2.01	8.50	9.13	5.91	9.49	2.48	1.77	26	13	
80	3	3.07	11.14	11.73	7.09	11.14	3.94	3.74	62	44	
100	4	4.02	12.01	12.64	7.48	12.01	4.45	4.25	99	71	
150	6	5.98	15.87	16.50	13.78	15.75	7.80	6.50	196	130	
200	8	7.99	19.76	20.39	15.75	18.11	9.17	7.91	298	198	
250	10	10.00	22.36	22.99	25.59	23.62	11.14	9.80	683	584	
300	12	12.01	25.51	26.14	29.53	27.56	12.80	12.32	1146	992	
350	14	13.23	30.00	30.63	33.46	31.50	13.90	13.39	1565	1345	
400	16	15.24	32.99	33.62	37.40	35.43	17.13	15.98	1962	1653	

\* DIN face-to-face dimensions are deliverable as well.

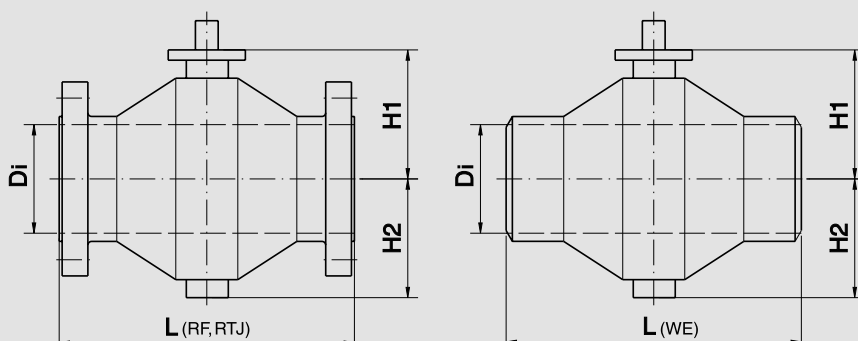
# Ball Valve with Flange or Weld Ends

18" - 56" | DN 450 - 1400, ANSI Class 300 | PN 25/40\*



## Standard Materials:

- Body:** TSTE 355N/P355 NL1; ASTM A350 LF2
- Ball:** ASTM A350 LF2; ASTM A105; ASTM A182; ASTM A694; ENP or hard chrome; stainless steel on request
- Seat Rings:** ASTM A350 LF2; ASTM A105; ENP or hard chrome; stainless steel on request
- O-Rings:** FPM; EPDM; NBR; HNBR
- Seat Insert:** FPM; PTFE; PTFE-filled; HNBR



For deviating operating conditions please send us a written request stating the fluids, as well as the pressure and temperature range.

The materials which are mentioned in the list are the Böhmer standard materials. They comply with the most common national and international standards.

Other materials, which may be necessary due to special applications / conditions (such as corrosion / abrasion as well as temperature etc.) or customers' demands are deliverable on request.

Nom. size		Diameter	Face to face dimensions						Weight	
DN		Di	L(RF)	L(RTJ)	L(PN*)	L(WE)	H1	H2	Flange	Weld Ends
mm	inch	inch	inch	inch	inch	inch	inch	inch	lbs	lbs
450	18	17.24	35.98	36.61	41.34	39.37	18.50	17.72	2668	2315
500	20	19.25	39.02	39.76	45.28	42.91	20.16	19.21	3770	3197
550	22	21.26	42.99	43.86	-	44.49	25.55	21.69	4630	4079
600	24	23.27	45.00	45.87	53.15	45.28	27.09	23.39	5688	5071
700	28	27.01	52.99	54.02	61.02	50.98	29.21	26.02	7033	6261
750	30	28.98	55.00	55.98	-	52.99	30.91	27.99	8378	7385
800	32	30.75	60.00	61.14	-	55.00	33.54	30.47	10913	9921
900	36	34.49	67.99	69.13	-	59.02	35.91	32.68	15212	13669
1000	40	38.50	80.63	-	-	79.13	43.70	38.50	20283	18519
1050	42	40.16	83.15	-	-	82.09	45.79	40.39	23589	21605
1200	48	45.91	88.86	-	-	87.01	52.05	46.93	36597	34172
1400	56	53.54	97.24	-	-	96.26	60.24	53.07	46958	43431

\* DIN face-to-face dimensions are deliverable as well.

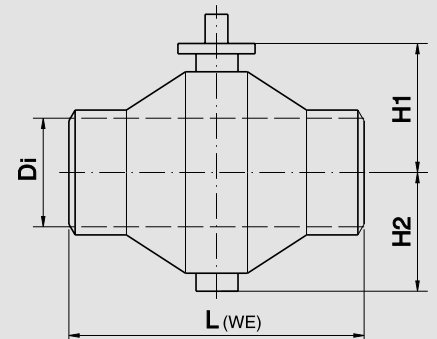
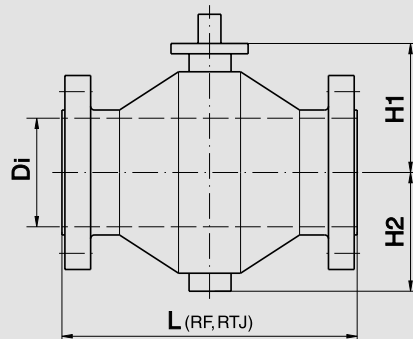
# Ball Valve with Flange or Weld Ends

1" - 16" | DN 25 - 400, ANSI Class 600 | PN 100\*



## Standard Materials:

- Body:** TSTE 355N/P355 NL1; ASTM A350 LF2
- Ball:** ASTM A350 LF2; ASTM A694;  
ENP or hard chrome; stainless steel on request
- Seat Rings:** ASTM A350 LF2; ENP or hard chrome;  
stainless steel on request
- O-Rings:** FPM; EPDM; NBR; HNBR
- Seat Insert:** FPM; PTFE; PTFE-filled; HNBR



For deviating operating conditions please send us a written request stating the fluids, as well as the pressure and temperature range.

The materials which are mentioned in the list are the Böhmer standard materials. They comply with the most common national and international standards.

Other materials, which may be necessary due to special applications / conditions (such as corrosion / abrasion as well as temperature etc.) or customers' demands are deliverable on request.

Nom. size		Diameter	Face to face dimensions					Weight	
DN		Di	L(RF)	L(RTJ)	L(WE)	H1	H2	Flange	Weld Ends
mm	inch	inch	inch	inch	inch	inch	inch	lbs	lbs
25	1	0.98	8.50	8.50	8.50	2.17	1.14	13	7
50	2	2.01	11.50	11.61	11.50	3.07	2.40	37	22
80	3	3.07	14.02	14.13	14.02	6.30	4.57	90	71
100	4	4.02	17.01	17.13	17.01	7.56	5.31	159	123
150	6	5.98	22.01	22.13	22.01	8.98	7.01	346	254
200	8	7.99	25.98	26.10	25.98	11.61	8.82	661	496
250	10	10.00	30.98	31.14	30.98	13.50	10.83	1003	805
300	12	12.01	32.99	33.11	32.99	15.87	12.60	1521	1301
350	14	13.23	35.00	35.12	35.00	17.76	14.29	2161	1830
400	16	15.24	39.02	39.13	39.02	19.39	15.75	2888	2381

\* DIN face-to-face dimensions are deliverable as well.

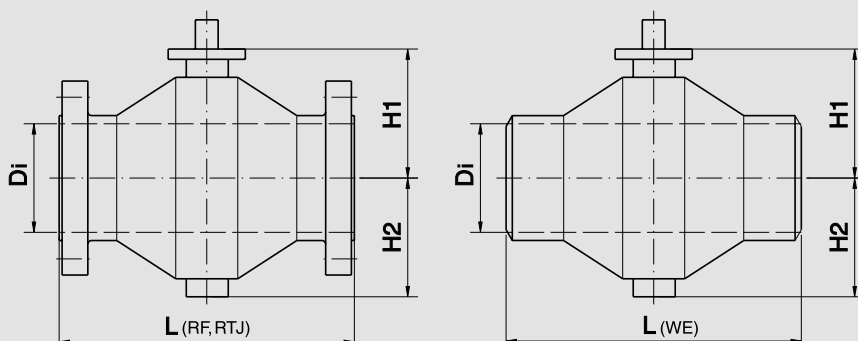
# Ball Valve with Flange or Weld Ends

18" - 56" | DN 450 - 1400, ANSI Class 600 | PN 100\*



## Standard Materials:

- Body:** TSTE 355N/P355 NL1; ASTM 350 LF2; ASTM A694
- Ball:** ASTM A350 LF2; ASTM A694; ENP or hard chrome; stainless steel on request
- Seat Rings:** ASTM A350 LF2; ENP or hard chrome; stainless steel on request
- O-Rings:** FPM; EPDM; NBR; HNBR
- Seat Insert:** FPM; HNBR



For deviating operating conditions please send us a written request stating the fluids, as well as the pressure and temperature range.

The materials which are mentioned in the list are the Böhmer standard materials. They comply with the most common national and international standards.

Other materials, which may be necessary due to special applications / conditions (such as corrosion / abrasion as well as temperature etc.) or customers' demands are deliverable on request.

Nom. size		Diameter	Face to face dimensions					Weight	
DN	Di	Di	L(RF)	L(RTJ)	L(WE)	H1	H2	Flange	Weld Ends
mm	inch	inch	inch	inch	inch	inch	inch	lbs	lbs
450	18	17.24	42.99	43.11	40.55	21.57	18.03	3902	3285
500	20	19.25	47.01	47.24	42.91	23.76	19.84	4872	4034
550	22	21.26	50.98	51.38	44.49	25.55	21.69	5997	4960
600	24	23.27	55.00	55.39	49.02	27.09	23.39	7496	6504
700	28	27.01	60.98	61.50	50.98	29.21	26.02	10097	8488
750	30	28.98	65.00	65.51	52.99	30.91	27.99	12677	10781
800	32	30.75	70.00	70.63	55.00	33.54	30.47	15432	13228
900	36	34.49	82.01	82.64	59.02	35.91	32.68	19401	16535
1000	40	38.50	85.24	86.38	79.13	43.70	38.50	23369	20503
1050	42	40.16	88.19	89.33	82.09	45.79	40.39	25794	22928
1200	48	45.91	93.90	95.04	87.01	52.05	46.93	41667	37038
1400	56	53.54	106.69	107.83	96.26	60.24	53.07	59084	52470

\* DIN face-to-face dimensions are deliverable as well.

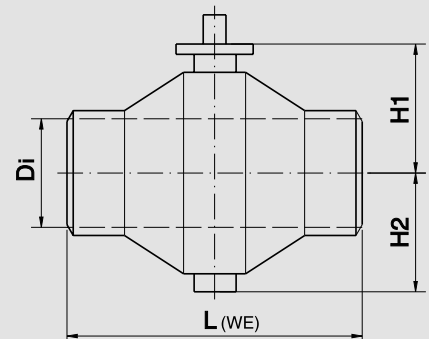
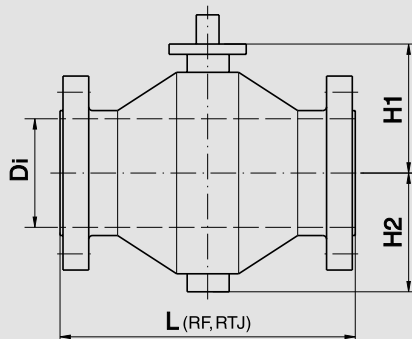
# Ball Valve with Flange or Weld Ends

1" - 16" | DN 25 - 400, ANSI Class 900 | PN 160\*



## Standard Materials:

- Body:** TSTE 355N/P355 NL1; ASTM A350 LF2; ASTM A694
- Ball:** ASTM A350 LF2; ASTM A182; ASTM A694; ENP or hard chrome; stainless steel on request
- Seat Rings:** ASTM A350 LF2; ASTM A694; ASTM A182; ENP or hard chrome; stainless steel on request
- O-Rings:** FPM; EPDM; NBR; HNBR
- Seat Insert:** FPM; PTFE; PTFE-filled; HNBR



For deviating operating conditions please send us a written request stating the fluids, as well as the pressure and temperature range.

The materials which are mentioned in the list are the Böhmer standard materials. They comply with the most common national and international standards.

Other materials, which may be necessary due to special applications / conditions (such as corrosion / abrasion as well as temperature etc.) or customers' demands are deliverable on request.

Nom. size		Diameter	Face to face dimensions					Weight	
DN		Di	L(RF)	L(RTJ)	L(WE)	H1	H2	Flange	Weld Ends
mm	inch	inch	inch	inch	inch	inch	inch	lbs	lbs
25	1	0.98	8.50	8.50	8.50	2.17	1.14	15	7
50	2	2.01	14.49	14.65	11.50	3.07	2.40	51	22
80	3	3.07	15.00	15.12	14.02	6.30	4.57	108	71
100	4	4.02	17.99	18.11	17.01	7.56	5.31	183	123
150	6	5.98	24.02	24.13	22.01	8.98	7.01	408	254
200	8	7.99	29.02	29.13	25.98	11.61	8.82	871	507
250	10	10.00	32.99	33.11	30.98	13.50	10.83	1367	893
300	12	12.01	37.99	38.11	32.99	16.26	12.99	2028	1477
350	14	12.76	40.51	40.87	35.00	18.15	14.69	2822	2028
400	16	14.76	44.49	44.88	39.02	19.88	16.24	3571	2668

\* DIN face-to-face dimensions are deliverable as well.



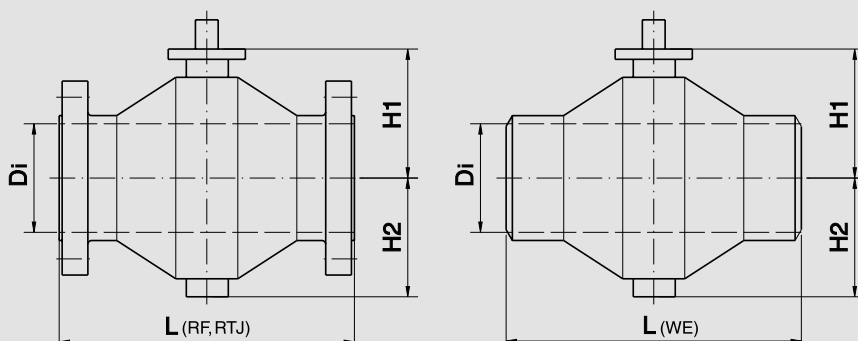
# Ball Valve with Flange or Weld Ends

18" - 48" | DN 450 - 1200, ANSI Class 900 | PN 160\*



## Standard Materials:

- Body:** TSTE 355N/P355 NL1; ASTM A350 LF2; ASTM A694
- Ball:** ASTM A350 LF2; ASTM A182; ASTM A694; ENP or hard chrome; stainless steel on request
- Seat Rings:** ASTM A350 LF2; ASTM A694; ASTM A182; ENP or hard chrome; stainless steel on request
- O-Rings:** FPM; EPDM; NBR; HNBR
- Seat Insert:** FPM; HNBR



For deviating operating conditions please send us a written request stating the fluids, as well as the pressure and temperature range.

The materials which are mentioned in the list are the Böhmer standard materials. They comply with the most common national and international standards.

Other materials, which may be necessary due to special applications / conditions (such as corrosion / abrasion as well as temperature etc.) or customers' demands are deliverable on request.

Nom. size		Diameter	Face to face dimensions					Weight	
DN		Di	L(RF)	L(RTJ)	L(WE)	H1	H2	Flange	Weld Ends
mm	inch	inch	inch	inch	inch	inch	inch	lbs	lbs
450	18	16.73	47.99	48.50	40.55	22.17	18.54	4630	3638
500	20	18.62	52.01	52.52	46.85	24.47	20.43	5908	4497
550	22	20.63	55.98	56.50	44.49	26.42	22.28	7540	6063
600	24	22.52	60.98	61.73	50.98	27.87	24.21	9458	7319
700	28	26.26	60.98	61.50	53.50	30.39	26.97	13448	10913
750	30	28.11	65.00	65.51	55.98	32.28	29.13	17196	14330
800	32	30.00	70.00	70.63	58.50	34.92	31.69	21495	17196
900	36	33.74	82.01	82.64	63.98	37.20	34.06	30644	22928
1000	40	37.64	87.60	88.74	79.13	44.09	39.17	39242	32408
1050	42	39.61	89.96	91.10	82.09	46.73	41.54	43211	35935
1200	48	45.24	96.85	97.99	87.01	54.33	47.83	62832	54013

\* DIN face-to-face dimensions are deliverable as well.

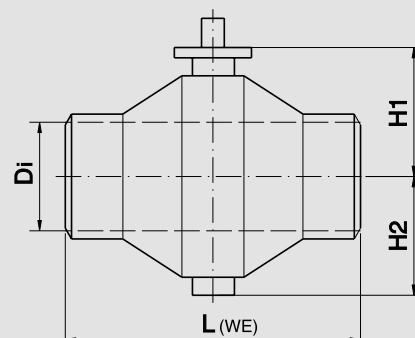
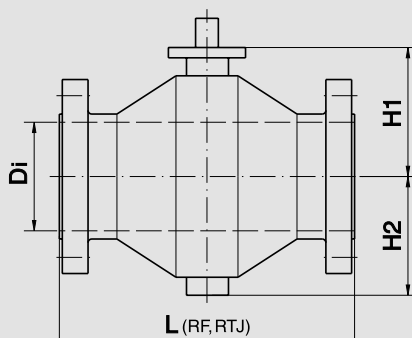
# Ball Valve with Flange or Weld Ends

1" - 36" | DN 25 - 900, ANSI Class 1500 / PN 250



## Standard Materials:

- Body:** TSTE 355N/P355 NL1; ASTM A350 LF2; ASTM A694
- Ball:** ASTM A350 LF2; ASTM A182; ASTM A694; ENP or hard chrome; stainless steel on request
- Seat Rings:** ASTM A350 LF2; ASTM A694; ASTM A182; ENP or hard chrome; stainless steel on request
- O-Rings:** FPM; EPDM; NBR; HNBR
- Seat Insert:** FPM; PTFE; PTFE-filled; HNBR



Nom. size		Diameter	Face to face dimensions					Weight	
DN		Di	L(RF)	L(RTJ)	L(WE)	H1	H2	Flange	Weld Ends
mm	inch	inch	inch	inch	inch	inch	inch	lbs	lbs
25	1	0.98	10.00	10.12	10.00	2.36	1.38	46	29
50	2	2.01	14.49	14.65	14.49	3.35	2.76	77	40
80	3	3.07	18.50	18.62	16.14	6.89	5.16	161	106
100	4	4.02	21.50	21.61	18.50	8.35	6.10	278	194
150	6	5.75	27.76	27.99	22.83	9.96	7.99	562	364
200	8	7.64	32.76	33.11	27.95	12.99	10.00	1378	904
250	10	9.49	39.02	39.37	32.28	15.28	12.20	1863	1433
300	12	11.38	44.49	45.12	37.01	18.23	15.04	3153	2469
350	14	12.52	49.49	50.24	42.32	20.75	17.05	4189	3153
400	16	14.25	54.49	55.39	47.24	22.64	19.00	5291	3858
450	18	15.98	60.51	61.38	49.37	20.98	18.66	6834	4630
500	20	17.87	65.51	66.38	50.98	29.25	24.09	8598	6283
600	24	21.50	76.77	77.64	54.72	33.43	29.65	12346	9921
700	28	25.24	-	78.35	58.94	39.41	33.82	17417	14551
750	30	27.01	-	-	62.01	42.44	35.83	22046	18739
800	32	28.74	-	-	63.39	44.09	37.99	28219	24251
900	36	32.24	-	-	69.69	48.62	42.52	38360	33069



For deviating operating conditions please send us a written request stating the fluids, as well as the pressure and temperature range.

The materials which are mentioned in the list are the Böhmer standard materials. They comply with the most common national and international standards.

Other materials, which may be necessary due to special applications / conditions (such as corrosion / abrasion as well as temperature etc.) or customers' demands are deliverable on request.

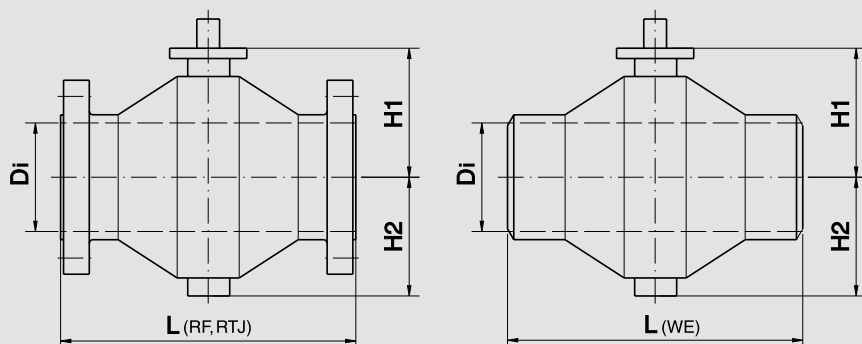
# Ball Valve with Flange or Weld Ends

1" - 12" | DN 25 - 300, ANSI Class 2500 / PN 420



## Standard Materials:

- Body:** TSTE 355N/P355 NL1; ASTM A350 LF2; ASTM A694
- Ball:** ASTM A350 LF2; ASTM A182; ASTM A694; ENP or hard chrome; stainless steel on request
- Seat Rings:** ASTM A350 LF2; ASTM A694; ASTM A182; ENP or hard chrome; stainless steel on request
- O-Rings:** FPM; EPDM; NBR; HNBR
- Seat Insert:** FPM; HNBR



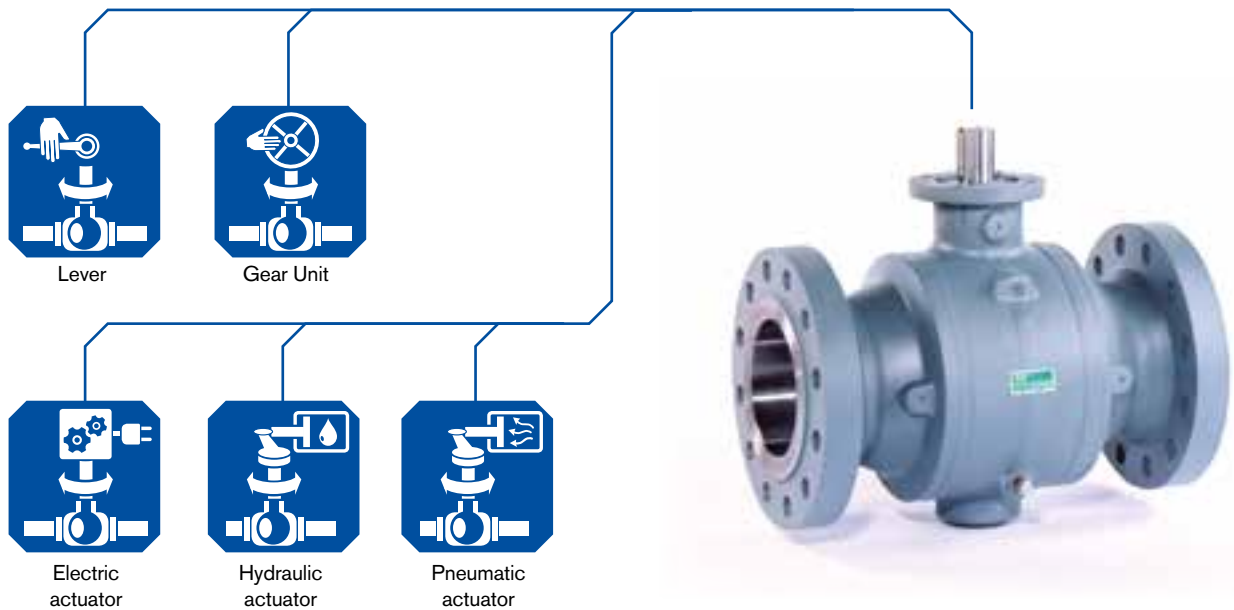
For deviating operating conditions please send us a written request stating the fluids, as well as the pressure and temperature range.

The materials which are mentioned in the list are the Böhmer standard materials. They comply with the most common national and international standards.

Other materials, which may be necessary due to special applications / conditions (such as corrosion / abrasion as well as temperature etc.) or customers' demands are deliverable on request.

Nom. size		Diameter	Face to face dimensions					Weight	
DN		Di	L(RF)	L(RTJ)	L(WE)	H1	H2	Flange	Weld Ends
mm	inch	inch	inch	inch	inch	inch	inch	lbs	lbs
25	1	0.98	10.00	10.12	10.00	-	-	82	44
50	2	1.65	17.76	17.87	14.49	5.71	4.13	181	79
80	3	2.44	22.76	22.99	16.14	7.68	6.10	386	176
100	4	3.43	26.50	26.89	19.29	9.13	7.09	750	408
150	6	5.16	35.98	36.50	24.02	11.22	9.21	1698	838
200	8	7.05	40.24	40.87	34.25	14.29	11.42	2756	1587
250	10	8.78	50.00	50.87	39.17	16.34	13.58	4409	2315
300	12	10.43	55.98	56.89	45.08	19.61	16.34	5952	3086

# ACTUATORS FOR BÖHMER BALL VALVES



## Ball valves with gear units

An economical solution for actuating large ball valves.



## Pneumatic, hydraulic and electric ball valve actuators

BÖHMER ball valves can be combined with actuators made by all established actuator manufacturers. We look forward to receiving your technical inquiries.



The actuating torque is defined by the range of application, the operating conditions and the design of the ball valve. Our technical engineers will be at your service in order to select the best suitable actuator for your ball valve.



# OPTIONAL EQUIPMENT

---

Emergency sealing injection

---

Stem extension

---

Extended lines for drain, vent and  
emergency sealing injection

---

Bypass directly at the valve

---

Locking device

---

Underground installation

---

Other design features on request

---



**Our product range  
includes more than  
100.000 different kinds  
of ball valves.**

# BÖHMER BALL VALVES IN OPERATION

## We keep in step with time!

Thanks to our comprehensive product line, we are already able to fulfill almost every customer demand.

But we do not rest on our laurels!

In order to be able to satisfy all customers' wishes in the future, our highly qualified engineers and designers take meticulous care to develop the next generations of ball valves. As a result, we develop innovative solutions which are successful in fields such as district heating, the gas industry, pipeline construction, hydraulics, pneumatics, plant engineering and construction, petrochemicals and subsea applications.



District heating



Oil, gas, petrochemicals



Shipbuilding



Power plants



As one of the world's leading manufacturers of ball valves, we are always conscious of our responsibilities to our customers.

Now and in the future, the name BÖHMER will continue to be a distinguished synonym for our comprehensive promise to perform.

**BÖHMER**  
**OUR EXPERIENCE - YOUR SAFETY**



**OUR EXPERIENCE - YOUR SAFETY**

Gedulderweg 95  
45549 Sprockhövel / Germany

Phone: +49 2324 7001-0  
Fax: +49 2324 7001-79  
E-Mail: boehmer@boehmer.de

**[www.boehmer.de](http://www.boehmer.de)**

